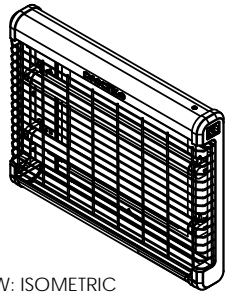
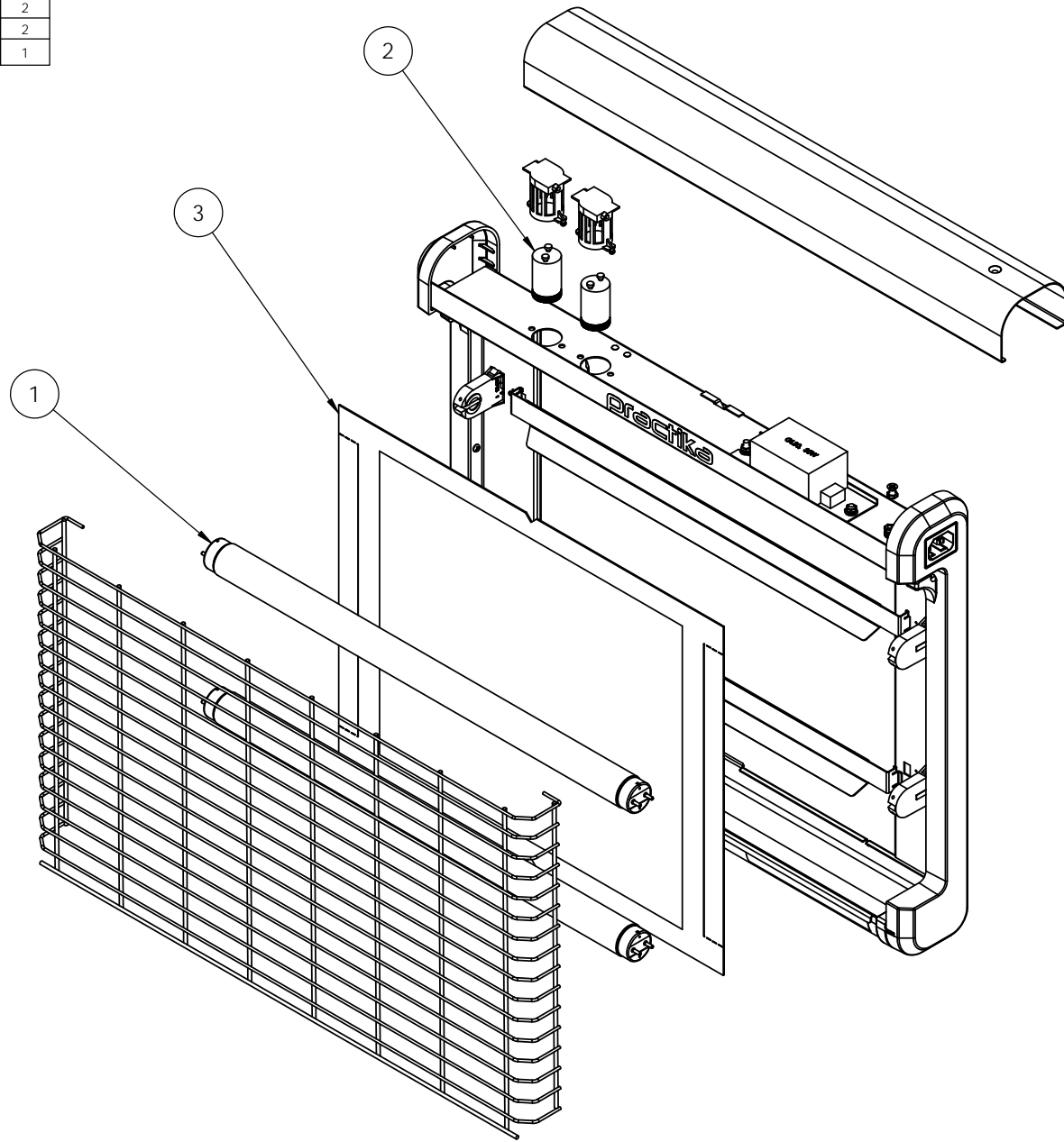


ITEM NO.	DESCRIPTION	PART NUMBER	QTY.
1	15W-18" TUBE	TVX15-18	2
2	STARTER	I154	2
3	GLUEBOARD	GB002	1



VIEW: ISOMETRIC
SCALE:1:10

DATE	AMMENDMENT	REV
8/7/14	ORIGINAL RELEASE - DOCUMENTATION	R1

UNLESS OTHERWISE SPECIFIED:
DIMENSIONS ARE IN MILLIMETERS
SURFACE FINISH:
TOLERANCES:
LINEAR: 0.2
ANGULAR: 0.5

DO NOT SCALE	DRAWN	NAME	DATE
	A.DRIVER	07/04/2015	
SCALE	APPROVED		
1:5	SHEET		
	4 OF 4		
		THIRD ANGLE PROJECTION	A3

TITLE	PRACTIKA	
PART NUMBER	PT30W	
DRAWING NUMBER	IOC-PT-001-1	REV. R1

